

# **Gediao Intelligent Remote Control Bait Boat**

## **Product Operation Instruction**

**(Product Model: V70)**



**Gediao Fishing Tackle Factory**

## **User Instruction:**

**Dear users:**

**Thank you for your purchase of our products. Before you use this product, please make sure to read this instruction carefully and operate and maintain the bait boat according to the instruction. If you have any question on the instruction, please contact our after-sale service personnel by telephone.**

**24-hour service hotline: 400 166 5909**

**Thanks for your cooperation!**

# **I. Factory and product introduction**

## **1. Factory introduction**

Kaiyuan Gediao Fishing Tackle Factory is a high-tech enterprise, which is dedicated to R&D, production and sales of intelligent remote control bait boat for fishing, intelligent bait casting and hook dropping boat, fish finder boat and under-ice fishing products. The factory has a batch of professional design and manufacturing teams and has produced a series of high-quality products appraised by users, driven by market demand, relying on cutting-edge technologies and through independent R&D. Now all products have obtained multiple national patents, and Gediao has become the intelligent fishing bait boat producer with distinct strengths in China. Our products have been sold to overseas markets such as Europe and Middle Asia.

Since it was founded, Gediao has always adhered to the business philosophy of quality-based development and credit-based brand building. Gediao has always focused on product practicability and stability in design and provided high-quality and competitive products to customers. At the same time, Gediao has established a perfect after-sales service system and has won trust and good comments from users with our strengths, reasonable price and high-quality products. All friends and new and old customers are sincerely welcome to visit our factory, guide us and negotiate with us for common development.

## 2. Product introduction

Parameters of V70 Bait Boat:

Basic parameters	Boat parameters	Product model: V70 Dimension: 65cm (L) * 37cm (W) * 25cm (D) Net weight: 4.5kg Maximal loading: 3kg Bait hopper dimension: 24cm (L) * 15cm (W) * 13cm (D) Boat material: high-quality ABS engineering plastics
	Wireless performance	2.4GHz/5.8GHz anti-interference remote controller 400m remote control distance
	Bait casting and hook dropping	2 independent bait hoppers (opened separately under control) Bait thrower(Optional) Wearing-free electromagnet bait casting and hook dropping system.
	Product performance	One lithium battery (12V13AH) with 2.5-hour duration Two lithium batteries (12V26AH) with 5-hour duration High-performance high-torque ultra-silence motor Waterproof design of the whole boat Double boat body design and resistance to Class 5 storm Double motor driving, best operation and control performance and ability to turn around in situ Stepless speed change and maximum operation rate of 90m/min Function of automatic course correction Protective system resistant to water weeds and fish line winding Reserved fish finder and GPS navigation installation port Reserved bait thrower installation port Charging voltage of AC220 for boat charger

## II. Packing list

1. Gediao intelligent remote control bait boat 1 set
2. Anti-interference remote controller 1 set
3. Lithium battery pack for boat 1 pair
4. Boat antenna 1 piece
5. Charger for boat: 1 piece

6. Boat bag 1 piece
7. Hanging rope of remote controller: 1 piece
8. Remote controller battery: 1 set
9. Small accessory bag: 1 piece
10. Product instruction: 1 piece
11. Foam pack: 1 set
12. Paper box for shipment: 1 piece
13. Optional accessories (Bait thrower, Fishing finder etc...)

### **III. Precautions for use**

- 1. After you make sure to know and grasp operation keys of this bait boat, you can use it under water. Every time before using, you shall check functions of the boat and carry all accessories to ensure normal operation.**
- 2. To ensure that the boat can work normally, make sure to clean it after each use. Every time before the boat is used, make sure that the battery compartment is covered and it is kept waterproof. After using, open the battery cover to check if the battery compartment has any water in it, ventilate the boat in a dry place, and keep the inside of the boat body dry.**
- 3. In use, before the boat is placed into the water for operation, make sure that the boat power and remote control power has been turned on. In addition, the spare battery of the remote controller shall be equipped with at any time to prevent the boat from failing to return in case of no power of the remote controller.**
- 4. Pls do not use the boat with overload in the heavy storm wave or stormy**

**weather, check the inside of the boat frequently when bad weather.**

- 5. Do not make the motor idle. If the motor shaft gets away from the water level, it cannot be cooled by water. The heat due to friction with the water seal will make it quickly age and degrade the water proof performance.**
- 6. The valid distance of the remote controller signals is 400m. The valid distance of the remote controller signals may be shortened due to influences of the environment and other factors. Please operate the boat within the range of visibility as much as possible during operation. When the remote control signals are lost or the remote controller is turned off, the boat will automatically stop in the water (the boat based on GPS auto-pilot can automatically return to the origin) and four front and rear lights will flicker continuously at the same time. In addition, the boat and remote controller antenna shall all point to the sky, so that transmission and receiving effect of the signals is optimal.**
- 7. When the boat power alarm indicator is turned on, the boat can continue navigation for about 15 min. When the alarm indicator starts to flicker (GPS auto-pilot boat can automatically return to the origin), please stop operation immediately and charge the boat batteries. (Pls stop to use GPS auto-pilot boat when the power of the boat less than 20%, charge the boat or change the batteries)**
- 8. The power indicator of the remote controller will gradually change from green to red during use. When the power of the remote controller is low, the power indicator will start to flicker and give out “Didi” sound. Please replace the batteries of the remote controller and make sure that the boat power is turned off during replacement (Pls stop to use GPS auto-pilot boat when the**

power of the remote controller less than 10%, change the batteries of the remote controller).

9. After a new boat is received, if the power is insufficient, please first charge the batteries, and then use the boat. Each time after the boat batteries are used, or if they are not used for a long time, they shall be charged fully for storage. If they are not used for a long time, the batteries shall be taken out and be placed in a dry and ventilated place. And the batteries shall be charged again every 2-3 months. Do not discharge the batteries excessively. Otherwise, it will damage the batteries and they cannot be used normally. If the batteries fail due to incorrect battery maintenance of the customers, it is beyond the warranty scope.
10. For boats with GPS function, if there is any problem of deviation during the voyage, please do the median calibration of the right rocker according to the suggested steps in the remote control Settings. In addition, do not restore factory Settings in the remote control Settings. If the boat cannot connect to the remote control, please contact the customer service for the bind method.
11. Do not use this boat in the water areas with plentiful waterweeds. If the boat propeller is wound by the fish wires, please stop using the boat immediately. After the fish wires are removed, the boat can be used again. When the fish wires are dragged, do not move back for a long time as much as possible to prevent fish wires from winding in the propeller.
12. When the boat is in the course of posting and transportation, place the lithium batteries or lead acid batteries in the designed foam packing slot and

**fix them. Do not directly place the batteries into the boat for transportation.**

**13. The charging port and other exposed ports shall be covered by rubber caps during use. Otherwise, water will enter them and lead to short circuit.**

**14. Do not use this bait boat in bad weather, such as lightning, storms and strong wind and big waves.**

**15. After the power is turned on, it takes about 20 seconds to initialize the course stabilizer. During this time, please leave the boat on a flat ground and do not operate the remote control.**

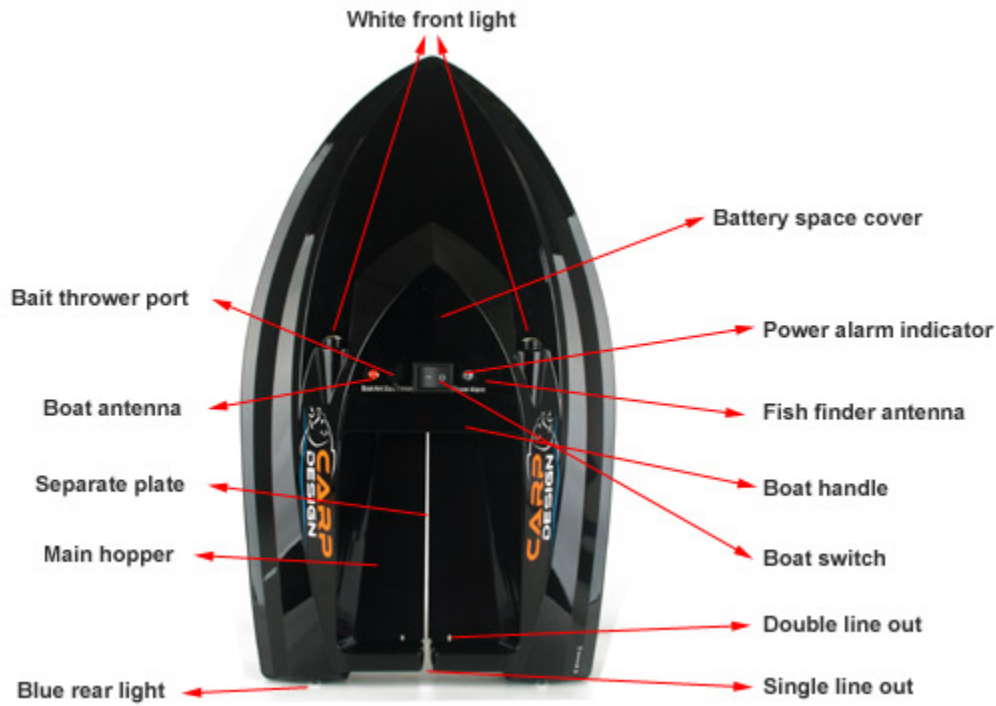
**16. This product has been granted with the state utility model and appearance patent, and its brand trademark has been registered. Do not infringe our trademark. Once any infringement is discovered, we will investigate related legal responsibilities.**



## IV. Operation guidance

### 1. Boat installation and operation instruction

The boat functions are described as follows:



#### Installation instruction:

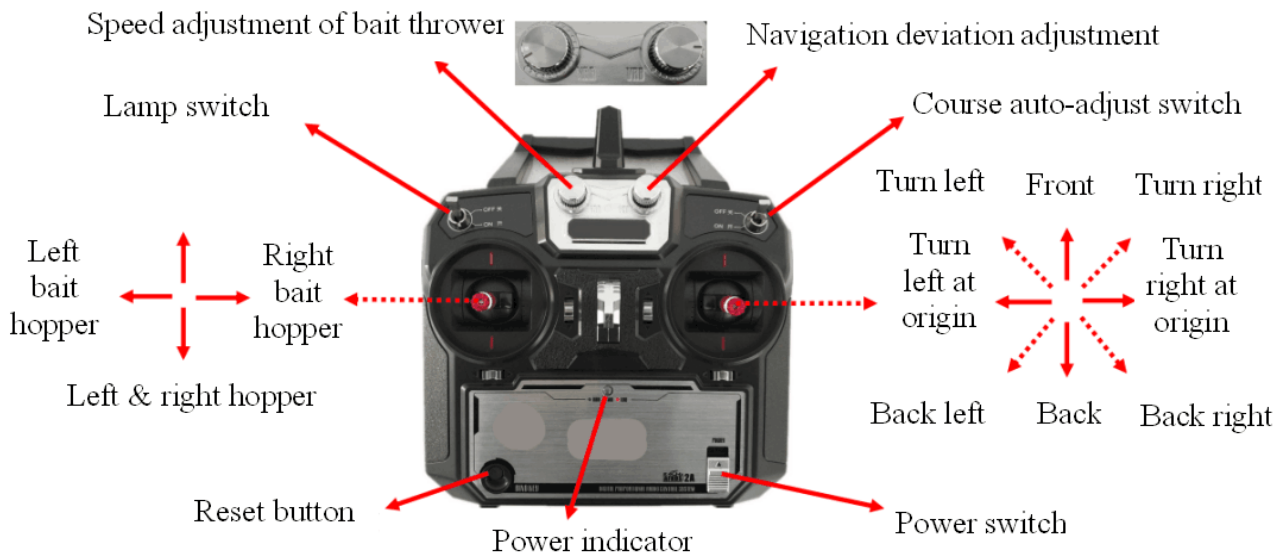
- (1) First open the battery compartment covers, take two batteries from the foam box, place them into the battery compartment of the boat respectively. Pls place the battery into the middle battery compartment when use one battery ( the logo the battery towards up). Pls place the batteries into the left and right battery compartments when use two batteries (push down and fix the batteries with the logo towards up). Then connect the battery power lines at two ends respectively, and close the battery compartment cover.
- (2) Take out the boat antenna, fasten it clockwise, and fix it onto the boat antenna seat.
- (3) If nesting is required on the left and right side of the middle compartment respectively, insert the division plate of the middle compartment into the

front and rear slot of the compartment and fix it.

- (4) To take out the remote controller, place four AA-sized batteries, return all the rockers of the remote controllers to the origin and turn on the remote controller switch. The power indicator of the remote controller will be on.
- (5) Close the left and right bottom compartment plate of the middle compartment and put the bait in. When the middle compartment door is remotely opened, the warning indicator will flicker.
- (6) After turning on the boat switch, the front and rear lamps of the boat will flicker for three times. And then, test the functions of the remote controller. If it is normal, place the boat into the water and start to use it.
- (7) After use, please close the switch of remote controller and boat switch.

## 2. Operation instruction of remote controller

The standard remote controller is operated as follows:



Operation instruction of standard remote controller:

- (1) Control opening of the bait hopper by using the left rocker of the remote controller. Dial left to open the left bait hopper, dial right to open the right bait hopper, dial down to open the both left and right bait hoppers at the

same time.

- (2) Control the boat on the water level by using the right rocker of the remote controller. Dial up to forward, dial down to back, dial left to turn left at the origin, dial right to turn right at the origin, dial left up to turn left, and dial right up to turn right.
- (3) The toggle switch in the upper left corner of the remote control is the front and rear lights switch of the boat, which is off if it is pushed upward, low brightness if it is pushed to the middle, and high brightness if it is pushed downward.
- (4) The switch in the upper right corner of the remote control is for the course protection program, which is turned off when turned up and turned on when turned down. When this switch is turned on, the boat automatically corrects course and follows a straight line.
- (5) The left up knob of the standard remote controller is the optional throwing range adjustment knob of the bait thrower, it be adjusted counterclockwise to control the range from small to wide. An operation protection program is used to prevent incorrect opening of the bait thrower. When the remote controller is turned on, the bait thrower can be opened with the knob returns to the minimum. (the left knob of the GPS remote control is the brightness adjustment knob of the headlamp, which can increase the brightness clockwise and decrease the brightness counterclockwise.)
- (6) The knob on the upper right of the standard remote control is the navigation bias adjustment knob, and the pointer of the standard remote control knob points to the right is for the middle. When the boat is yaw to the left, the knob can be slowly adjusted to the right, and vice versa.(the right knob of the GPS remote control is the adjustment knob for throw range of optional bait thrower, and the bait thrower has the open protection program of false operation. When the remote control is in turned on, the knob can be opened only after it is returned to the minimum.)

### **3. Introduction to the GPS auto-pilot function**

#### **3-1 Operation notices of GPS auto-pilot function**

**(1) About 5 min after startup, the satellite signals will be stable. When 10 satellites are available, the automatic driving function can be enabled. When more than 15 satellites are available and the boat is located in an open area without any obstacle, the positioning precision can reach about 1m.**

**(2) Every time the boat arrives at the fishing place, please first set the origin to ensure that the boat can automatically return to the origin in case of an emergency. It is recommended to set the origin at the water surface several meters away from the bank. The automatic driving function shall be enabled at the origin. The bow shall point to the extensive water surface as much as possible to prevent the boat from stranding on the bank during automatic steering.**

**(3) When the boat cannot receive the signals from the remote controller or the boat power reduces to the minimum warning value, the boat will automatically enable the returning function and return to the origin. The right rocker shall be located on the middle position in automatic return. Otherwise, it will interfere with normal return. Four lamps will continuously flicker in automatic return.**

**(4) When the power of the remote controller is consumed up or the remote control function fails, please turn off the power of the remote controller. The boat will automatically enable the returning function and return to the origin after 7s. Four lamps will continuously flicker in automatic return.**

**(5) When the boat power reduces to about 30%, the red power indicator of the boat will be on and you can continue using the boat for about 15 min. When the power reduces to about 20%, the remote**

**controller will give out the power alarm and the red power indicator of the boat will begin to flicker. At this time, the boat may enable automatic returning function in case of lower power. You shall stop using the boat immediately and charge it.**

**(6) The remote controller shall be powered by high-quality AA-sized batteries such as Nanfu or high-capacity AA-sized charging batteries. When the power of the remote controller reduces to 30%, the power alarm will be given out. When the power reduces to be under 10%, please change the batteries of the remote controller in time. In addition, always make sure that the remote controller has enough spare batteries for use at any time. Otherwise, when the power of the remote controller is consumed up, the boat cannot be controlled and an emergency will occur.**

**(7) Before the GPS auto-pilot function is enabled, please make the right rocker located on the middle position. Manual operation is always dominant in automatic driving. When you operate the right rocker or press “Exit” key during automatic driving, the program will terminate and the boat will switch to the manual operation mode.**

**(8) To ensure that the boat keeps within the valid coverage during sailing the longest distance of the GPS auto-pilot is 300m. The automatic return is not restricted in case of an emergency.**

**(9) If the automatic driving cannot keep the correct direction in the stormy weather, please switch to the manual navigation mode.**

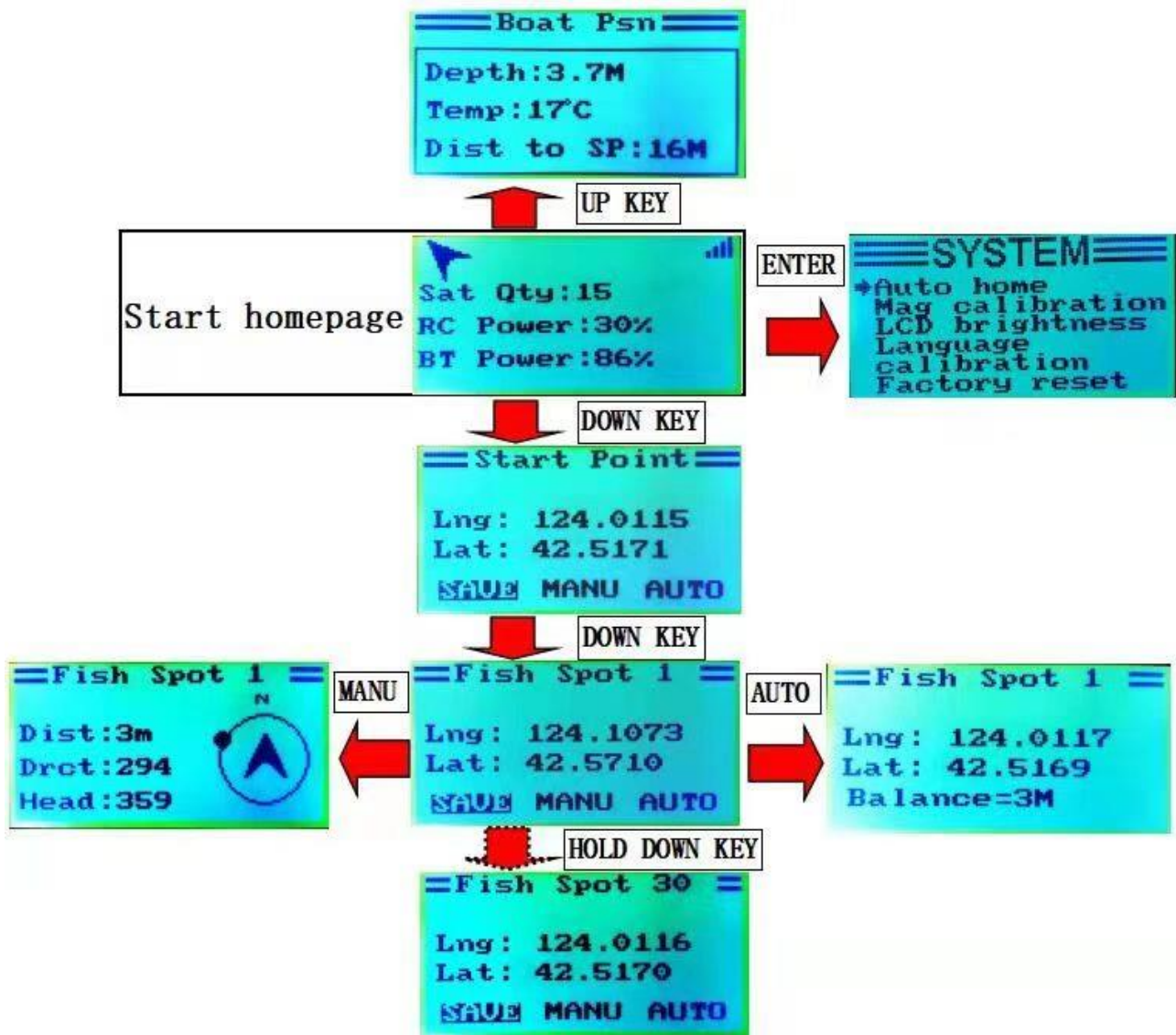
**(10) For the boats install fish finder, please turn off the course auto-adjust function during the process of finding fish, because the automatic speed adjustment of the motor may interfere the power supply voltage of the fish finder.**

### 3-2 Operation introduction to GPS auto-pilot

3-2-1 Operation instruction for remote controller of GPS auto-pilot is as follows.



3-2-2 Operation menu of GPS function is as follows

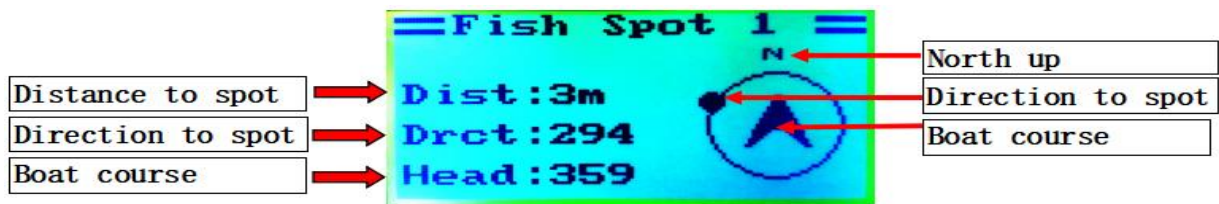


- (1) Startup homepage: The startup homepage includes the satellite quantity, power of remote controller and boat power percentage. The sailing direction will be displayed in real time at the left up corner and the signal strength of the remote control will be displayed at the right up corner.
- (2) Set the origin: After the boat arrives at the fishing field, first set the origin as follows:  
**Homepage (down key) → origin homepage (hold Ok key) → prompt to select “OK” →Save successfully (set the origin successfully)**
- (3) Position point saving function and manual and automatic function:

When any position point is saved, the manual function indicates to arrive at the position point via manual operations on the graphic navigation. The automatic function indicates to automatically drive the boat to the position point. Operations are described as follows:

**Homepage (hold Down key) → page at any position point (OK key) → select manual or automatic (Hold the OK key) → enable manual or automatic function**

**The manual operation images are introduced as follows:**



- (5) View the real-time distance of the boat from the origin.(Optional Echo sounder and temp display on GPS Remote control). This function is operated as follows:

**Homepage (up key) → Display of information such as distance from the origin**

- (6) Function of return automatically after drop bait.

**Homepage (OK key) → Choose return automatically(OK key) →(Up key or down key) Turn on or turn off function of return automatically after drop bait.**

When turn on the function of return automatically after drop bait, the boat will open the bait hoppers in turn (The bait thrower will throw the bait automatically in the same time if boat have) . Then the boat will return to the origin after drop the bait. The whole process is fully automated without human intervention.

### **3. Battery charging**

- (1) **Charge the boat battery pack by using the charger**

The original 12.6V/4A charger shall be used to charge the boat battery pack.



Keep the boat power off in charging. The charger indicator is red in charging. After the battery pack is fully charged, the charger indicator becomes green.

Charging Method 1: Directly insert the output port of the charger into the boat charging port (DC charging port on the right side of the boat switch) and charge two battery packs simultaneously.

Charging Method 2: Please take out two battery packs from the boat battery compartment, connect the original shunt current line to the charger, connect two ends of the shunt wire to two battery packs, and charge them simultaneously.

Simultaneously charge two battery packs with the charger for about 5-6 hours. When only one battery pack is charged, it will take 3-4 hours.

## **V. Warranty notes**

1. The valid warranty period of our whole nesting boat is 1 year and the valid warranty period of the battery pack is 6 months. The valid warranty period is counted since an effective sales voucher is provided.
2. Make sure to keep your sales voucher. When this product needs to be repaired, please contact our after-sale.
3. If the product is repaired due to product quality during the warranty period, we will provide the reference accessories.
4. If the warranty period of the product expires, we will provide lifelong paid repair for customers.
5. We will provide free after-sale service during the warranty period. The following cases are beyond the scope of free warranty.
  - (1) The specified valid warranty period is expired.
  - (2) No sales voucher and warranty voucher is available except that this product is proved to be within the valid warranty period.
  - (3) This product is damaged because it is not operated and maintained according to the operation instruction or is incorrectly operated.
  - (4) Any man-made damage (including damage due to boat falling and hard

collision), or any damage due to disassembly and refitting of the repairers not assigned by us.

- (5) Damages due to fire, flood, lightning, earthquake or other force majeure or accidents.

## **VI. Common questions and troubleshooting**

### **1. The boat does not work after the power is turned on.**

Reasons: (1) The battery power line is not connected or the battery power is too low; (2) Check the main control board. (3) Switch problems.

Trouble shooting method: Check power line connection of the left and right batteries, charge the batteries, and contact with after-sale personnel for replacement of the main control board or switch.

### **2. The boat will deviate to one side in sailing.**

Reasons: (1) The boat is affected by the water flow or stormy waves; (2) The different left and right loads lead to different left and right drafts of the boat; (3)The right rocker of GPS remote controller is not calibrated. (4) The course auto-adjust function be not turned on. (5) One - sided propeller winding obstacle or propeller damage.

Trouble shooting method: Turn on the course auto-adjust function; Calibrate the light rocker of GPS remote controller( Follows the instruction of remote controller); Check or replace the propeller.

### **3. The boat stops in the water due to an unknown reason, the lamp keeps flickering, and the remote controller does not work.**

Reasons: (1) The remote control distance is exceeded; (2) The power of the remote controller is not turned on or the power is low; (3) The antenna is not installed in place or the antenna is damaged.

Troubleshooting method: Check the power of the remote controller, replace the batteries, hold the antenna of the remote controller high to the sky, move the

remote controller to the boat, and check and replace the antenna.

#### **4. The bait hopper door cannot be opened.**

Reasons: (1) The electromagnet line falls off; (2) The electromagnet is damaged; (3) The main control board is damaged

Trouble shooting method: Check the line, replace the electromagnet and main control board.

#### **5. The boat is out of control in the water and the lamps and other functions work normally.**

Reasons: (1) The motor is wound with the fish lines or waterweeds; (2) The main control board is protected due to overload.

Trouble shooting method: Stop operation, cool the motor and main control board for several minutes, and then operate it. If the sailing function still cannot be controlled, take back the boat and check if the propeller is clean.

#### **6. The water enters the boat compartment.**

Reasons: (1) The battery port is not covered well or the adhesive tape is damaged and falls off; (2) The water seal of the tail shaft is damaged;

Trouble shooting method: Remove the water, ventilate the boat for dryness, check the boat and air tightness of the battery port, check air tightness of the tail shaft, and contact with the after-sale personnel.

#### **7. The remote control cannot control the boat, and the GPS remote control does not display the satellite and hull power.**

Reasons:(1) The power of remote controller is low. (2)The power of boat is low.(3)The boat cannot be bind the remote controller(Restore original factory Settings).

Troubleshooting method: Change the batteries of remote controller; Charge the batteries of boat; Contact the customer service for the bind method.

## VII Upgradable configurations

A user can select to install the following accessories according to personal preferences.

1. GPS auto-pilot function
2. Godio Fishing finder(Used on cell-phone or tablet PC)

For installation of above configurations, please contact with the customer service personnel. For any upgraded configuration selected by the customers, the factory will provide free installation services to the customers.

## IIIX. User warranty card

### 1. Customer information

Name: \_\_\_\_\_

Address: \_\_\_\_\_

Tel: \_\_\_\_\_

### 1. Product information

Name: \_\_\_\_\_ Gediao Bait Boat \_\_\_\_\_

Model: \_\_\_\_\_ V70 \_\_\_\_\_

Configuration: One lithium battery ( ) Two lithium batteries( )

Standard configuration ( )+ GPS auto-pilot ( )+ TF500( ) +bait thrower ( )

Color: Black( ) Red ( )

Acquisition date: \_\_\_\_\_

**2. Information about franchiser**

Name: \_\_\_\_\_

Address: \_\_\_\_\_

Tel: \_\_\_\_\_

Delivrey date: \_\_\_\_\_

**3. Problem description**

---

---

**4. When any product is repaired, make sure that the information filled in this card is consistent with the information on the purchased product, and post the card to us together with the product. For contact information and address, refer to the following part.**

**IX. Contact information**

Company name: Gediao Fishing Tackle Factory

Hotline: 400-166-5909



Company website: <http://www.gediao-baitboat.com>

Address: No.63, Science and Technology Industrial Park, Economic Development  
Zone, Kaiyuan City, Liaoning Province,China